



SERVICE PARTS LIST

54-16-5180

SPECIFY CATALOG NO. AND SERIAL NO. WHEN ORDERING PARTS
DYMODRILL with INTERNAL CLUTCH

REVISED BULLETIN: _____ DATE: _____

Jan. 2006

WIRING INSTRUCTION

58-01-0930

EXAMPLE:

CATALOG NO. 4005

STARTING 865A or 865B

00 0 Component Parts (Small #)
Are Included When Ordering
The Assembly (Large #).

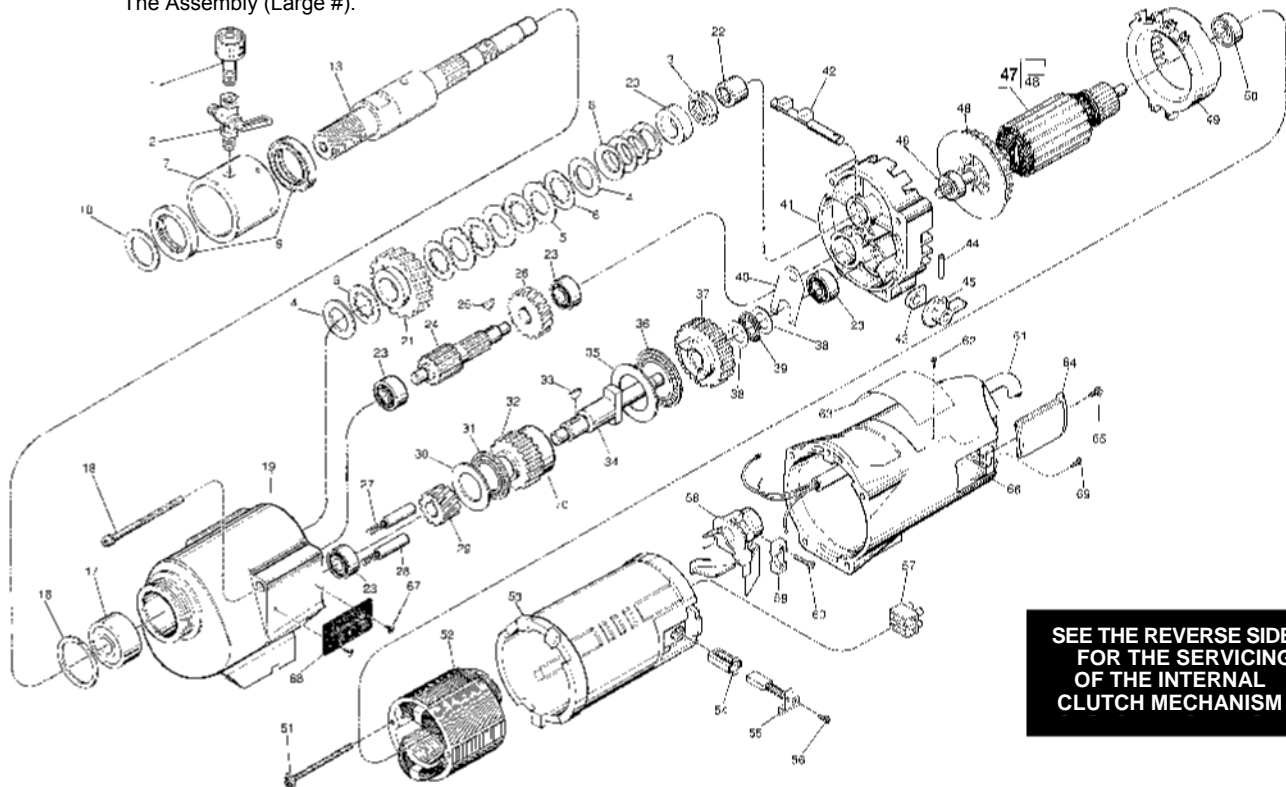


FIG.	DP Part #	DESCRIPTION OF PART	NO. REQ.
1	3200042	Water Hose Adapter	(1)
2	3200034	Shut Off Valve	(1)
3	2701526	Retaining Nut	(1)
4	2701592	Thrust Washer	(2)
5	2701593	Clutch Disc-Outer	(3)
6	2701594	Clutch Disc-Inner	(5)
7	2700199	Water Swivel Hsg Incl 06-83-2430 Scr	(1)
8	2701954	Disc Spring	(4)
9	2701308	Seal	(2)
10	2701563	Washer	(1)
13	2701599	Spindle	(1)
16	2700210	Retaining Ring	(1)
17	2700209	Ball Bearing	(1)
18	2700455	1/4-20 x 4-1/4" Taptite T-30	(4)
19	2700311	Gear Case Assy., Incl 06-65-1 535 Pin	(1)
20	45-36-1520	Spindle Spacer	(1)
21	32-75-3440	Spindle Gear	(1)
22	2700529	Needle Bearing	(1)
23	2700182	Ball Bearing	(4)
24	2700256	Pinion Shaft Assy.	(1)
25	2700177	Woodruff Key	(1)
26	2700257	Intermediate Gear	(1)
27	2700427	Shifting Spring	(2)
28	2700428	Shifting Plunger	(2)
29	2700181	Pinion Gear	(1)
30	2700272	Thrust Bearing Washer	(1)
31	02-80-1800	Thrust Bearing	(1)
32	2704255	Clutch Gear Assembly	(1)
33	2700183	Woodruff Key	(1)
34	2700334	Clutch Shaft	(1)
35	2700274	Thrust Bearing Washer	(1)
36	2700255	Thrust Bearing	(1)
37	2700253	Clutch Gear Assembly	(1)
38	2700275	Thrust Bearing Washer	(2)
39	2700276	Thrust Bearing	(1)
40	2700460	Shifting Yoke	(1)
41	2700457	Diaphragm Assy., Incl 06-65-1 155 Pin	(1)
42	2700324	Shift Cam	(1)
43	2702760	Foam Gasket	(2)
44	2700764	1/8 x 3/4 Groove Pin	(1)
45	2700335	Shifting Knob	(1)

FIG.	DP Part #	DESCRIPTION OF PART	NO. REQ.
46	2700528	Ball Bearing	(1)
47	2700441	120 V Armature	(1)
48	2701275	Fan	(1)
49	2700443	Baffle	(1)
50	2700206	Ball Bearing	(1)
51	06-82-9 1 52	10-24 x 2-3/4" Pan Hd. Sem. T-25	(2)
52	2701463	120 V. Field	(1)
53	2700534	Motor Insulator	(1)
54	2700525	Brush Tube	(2)
55	2700437	Carbon Brush Assembly	(2)
56	2700436	8-32 x 5/16" Pan Hd. Sem.T-20	(2)
57	2702029	Terminal Block	(1)
58	2700368	Wire Trap	(1)
59	31-17-0200	Cord Clamp	(1)
60	2702238	8-16 x 1" Pan Hd. Plastite T-20	(2)
61	22-64-0300	Cord Set	(1)
62	06-72-1720	Service Rivet	(2)
63	12-99-1 875	Service Nameplate	(1)
64	2701208	Brush Cover	(2)
65	06-82-5316	8-32 x 1/2" Pan Hd. Slit. Taptite T-20	(2)
66	2700607	Motor Housing	(1)
67	06-82-5266	4-40 x 1/4" Pan Hd. Taptite T-10	(2)
68	12-98-2 100	Instruction Plate	(1)
69	06-95-5200	8-32 x 5/16" Slotted Hex Hd. Screw	(1)
70	45-36-0225	Gear Spacer	(1)
	2400010	1-3/8" Open End Wrench	(1)
	3200024	Water Hose Washer (For Fig. No. 1)	(1)
	2701272	Retaining Nut Spanner Tool	(1)

FOR MOUNTING DRILL MOTOR USE:

2900088	1/4-20 x 7/8 Socket Hd. Screw	(4)
06-97-4050	1/4" Split Ring Lock Washer	(4)

FIG. 19 LUBRICATION

18 Oz. Type "J"	Grease, No. 49-08-4220
2800102	20amp DP electrical plug

Servicing the Clutch Mechanism-

Torque Value for the Clutch Mechanism Retaining Nut (fig. no. 3).

Grease / Lubrication — when assembling the internal clutch component parts: the Clutch Discs (fig. nos. 5 and 6), Thrust Washers (fig. no. 4) and Disc Springs (fig. no. 8) are to be lightly coated with grease

(Cat. No. 49-08-4220 type 'J') during their assembly into the spindle gear.

Grease / Lubrication specification includes coating internal bore of the spindle gear.

4	45-88-1140	Thrust Washers	(2)
5	43-06-0160	Clutch Discs-Outer	(3)
6	43-06-0150	Clutch Discs-Inner	(5)
8	40-50-2150	Spring Discs	(4)
	32-75-3430	Spindle Gear	(1)

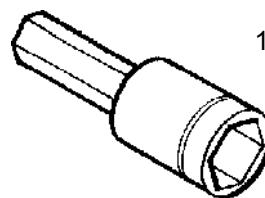
Service note: the assembly torque for the Clutch Mechanism Retaining Nut, No. 06-57-1050 (fig. no. 3), which insures the static torque required to slip the clutch mechanism, as lubricated, should be **25-30 ft-lbs.**

With the gear case separated from the diaphragm & motor housing of the Clutch Dymo-Drill motor —

- insert & engage a **61-10-0660** retaining nut spanner with the notches in the **06-57-1 050** clutch adjustment retaining nut.
- with a **1/2" hex socket bit driver** attached to a torque wrench, interlock the male hex with the female hex found in the threaded end of the dymodrill spindle.
- turn the torque wrench clockwise 3, observing the torque reading and tighten the clutch adjustment retaining nut on the rear of the spindle shaft until a value of **25-30 ft-lbs** is obtained.



Retaining Nut Spanner
Service Tool
No. 61-10-0660



1/2" Hex Bit Socket Driver,
Snap-On #psa16,
Pronto #5441 1/2
or equivalent