



CHAIN SAW PARTS LIST

MODEL HCH50

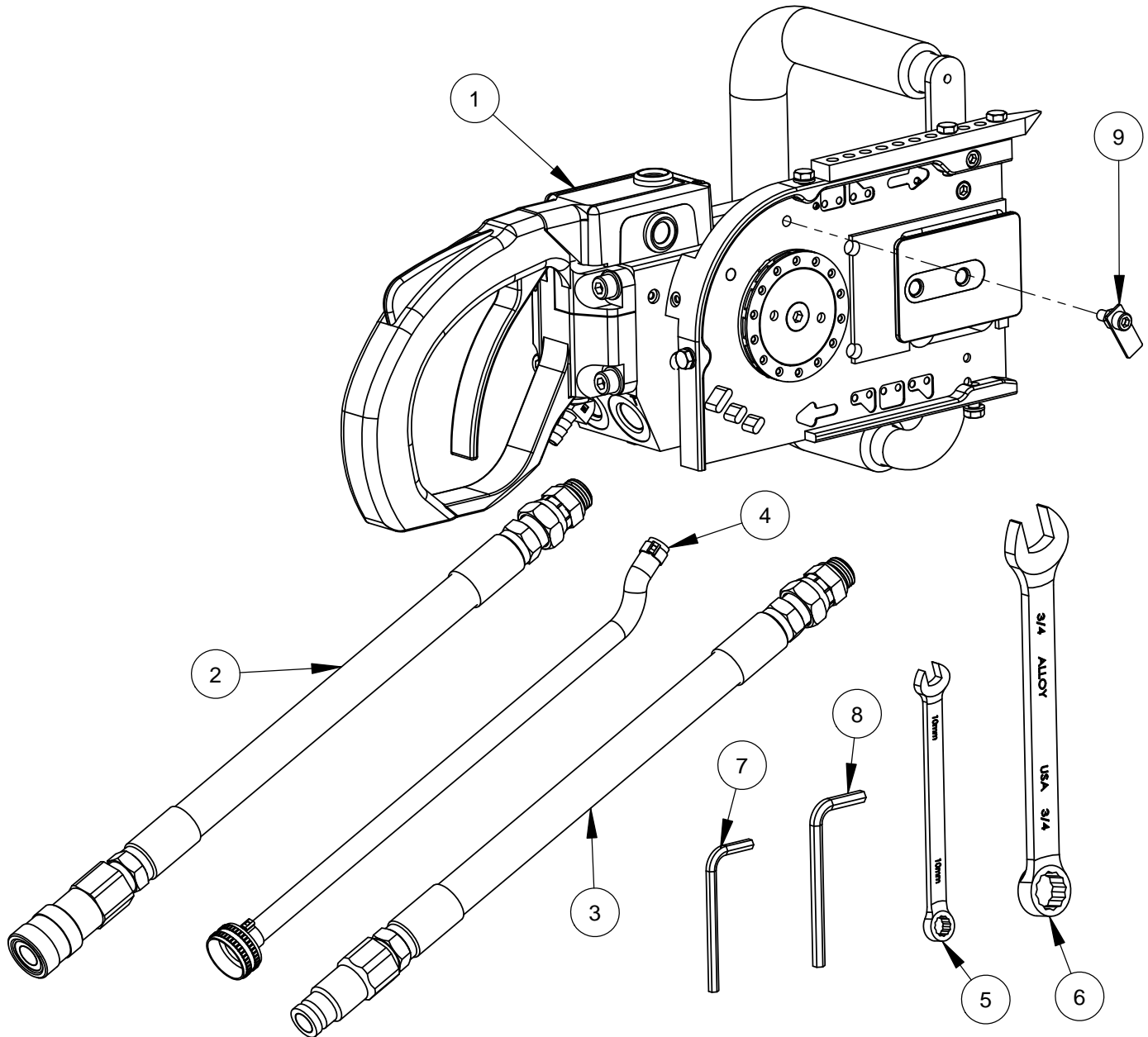
SEPT 2014

Part# 1801445

Table of Contents

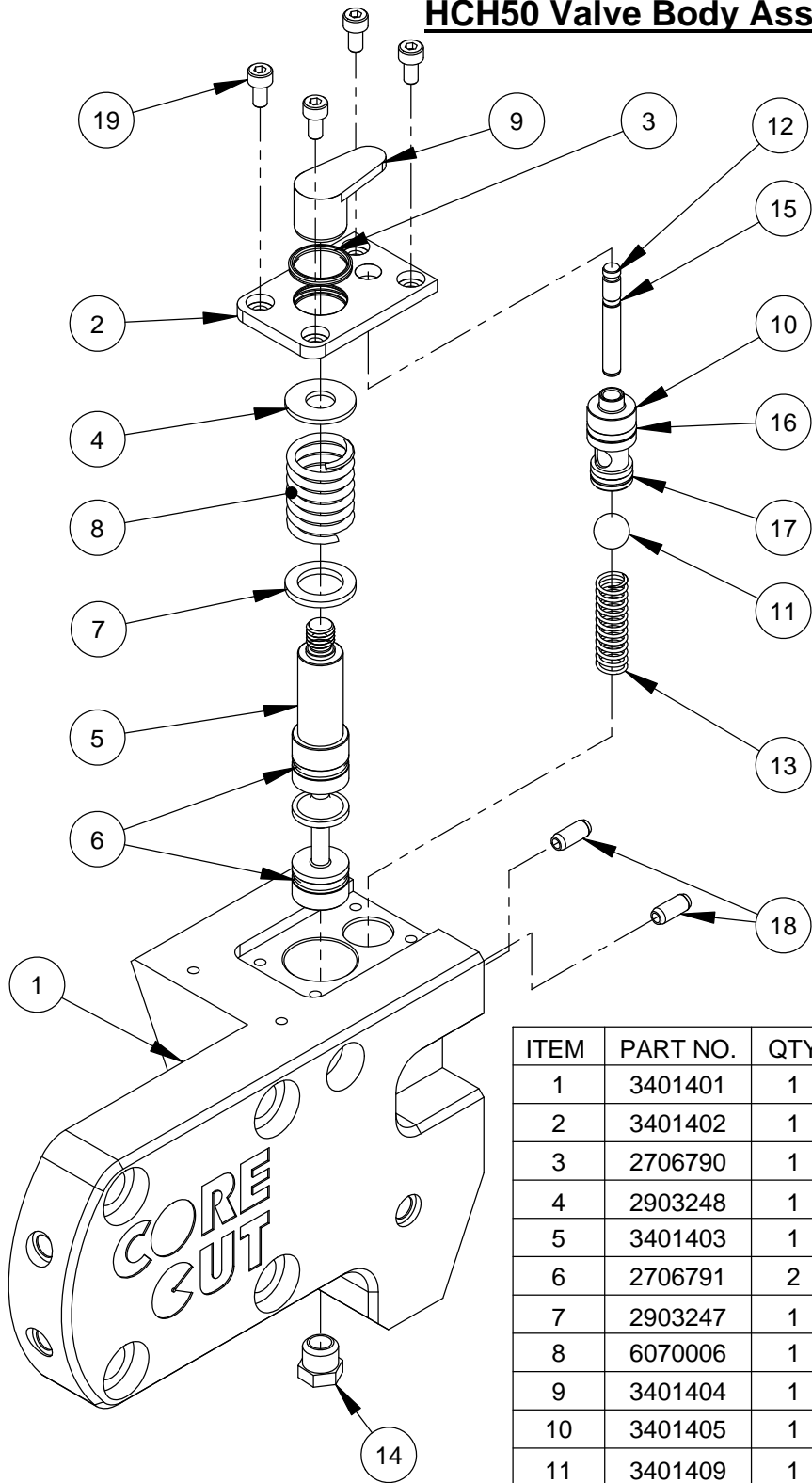
<u>Description</u>	<u>Page No.</u>
HCH50 Chain saw Assembly	4
HCH50 Valve Body Assembly.....	5
HCH50 Powerhead Assembly	6
12" Chain Saw Bar.....	8
16" Chain Saw Bar.....	9
20" Chain Saw Bar.....	10
24" Chain Saw Bar.....	11
Warranty	12

HCH50 Chain Saw Assembly #5801010



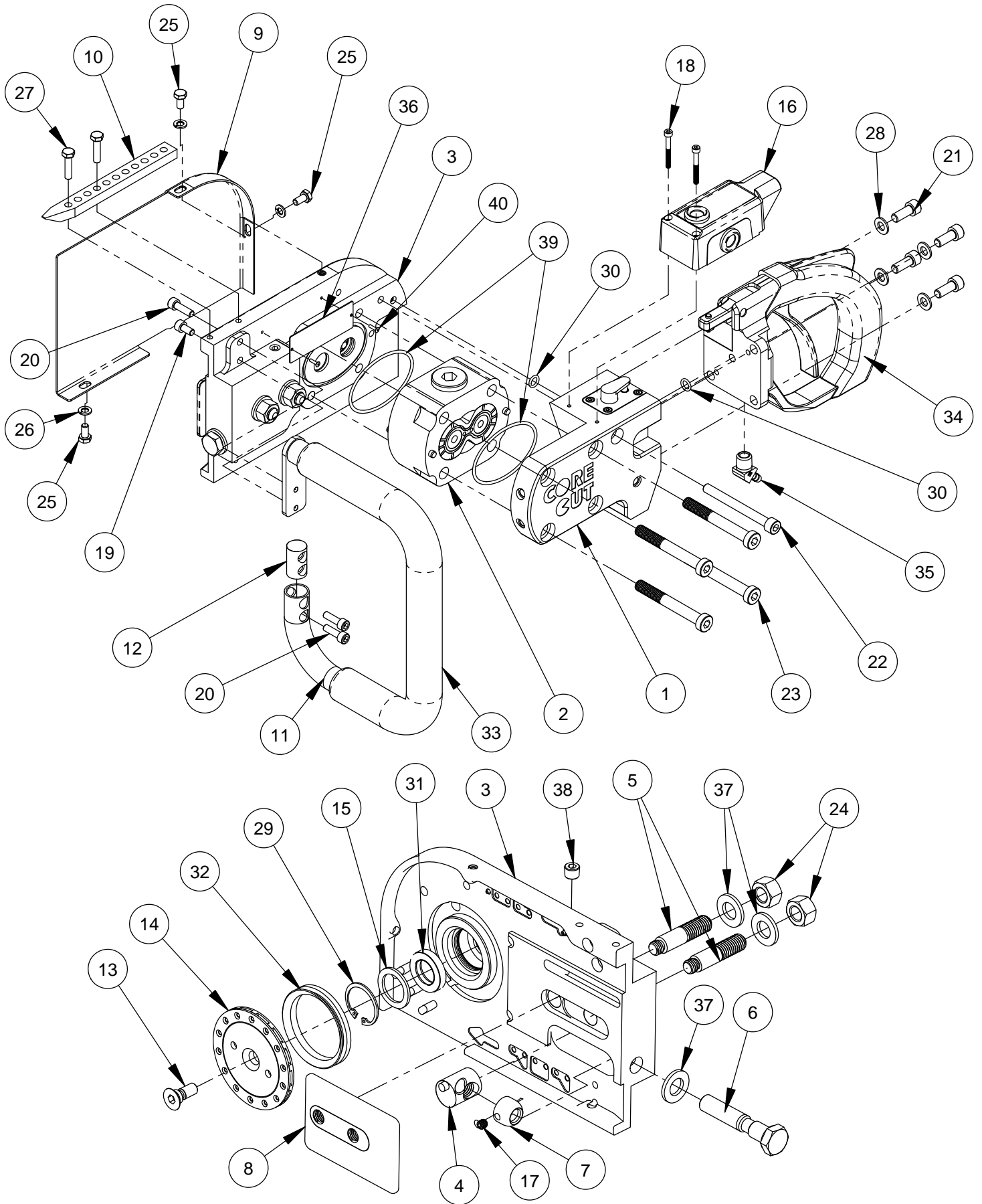
ITEM	PART NO.	QTY.	DESCRIPTION
1	3401281	1	HCH50 Chain Saw Powerhead
2	6044000	1	Inlet Hose Assembly, 12"
3	6044001	1	Outlet Hose Assembly, 12"
4	6049130	1	Water Hose Assembly
5	2400221	1	10MM Combo Wrench 12 Point
6	2400146	1	Wrench, 3/4" Combination
7	2500359	1	Key, 5MM Hex
8	2500360	1	Key, 6MM Hex
9	3401077	1	Sprocket Lock Tool Assy.

HCH50 Valve Body Assembly #3401398



ITEM	PART NO.	QTY	DESCRIPTION
1	3401401	1	Valve Body HCH50
2	3401402	1	Valve Cap
3	2706790	1	X-Ring 15.6x1.78
4	2903248	1	Washer 20MM x 8MM x 1.5MM
5	3401403	1	Slidegate Valve
6	2706791	2	X-Ring 10.77x2.62
7	2903247	1	Washer M12 20MM x 13MM x 2MM
8	6070006	1	Spring, Compression 34 x 19.1 x 2.4
9	3401404	1	Beam, HCH50 Valve Body
10	3401405	1	Plug Valve
11	3401409	1	Ball, Steel 10mm HCH50
12	3401406	1	Needle Valve
13	6070007	1	Spring, Compression 8x1/40.5 HCH50
14	3201998	1	Breather Vent, 1/8" NPT
15	2706792	1	O-Ring 2x1.5 N70
16	2706793	1	O-Ring 10x2.0 N70
17	2706794	1	O-Ring 9.0x1.5 N70
18	2706795	2	Roll Pin 5x12 ISO8748 BN876
19	3403788	4	Cap Screw, Soc. Hd., M4 x 8mm

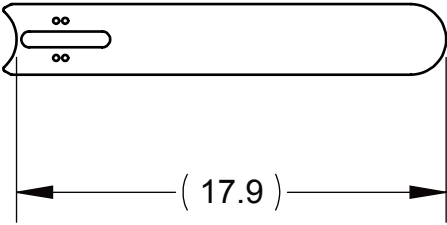
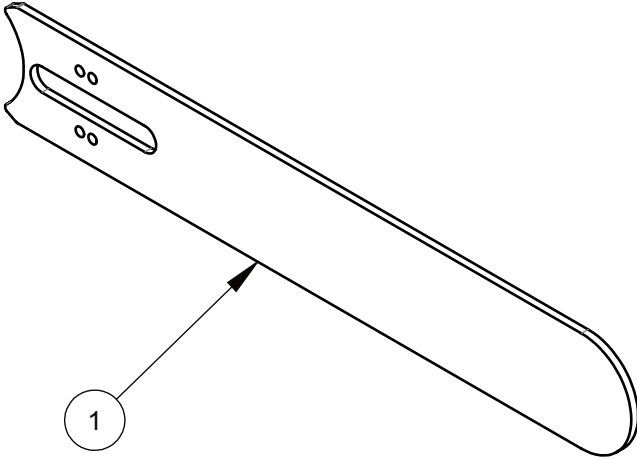
HCH50 Chain Saw Powerhead #3201281



HCH50 Chain Saw Powerhead #3201281

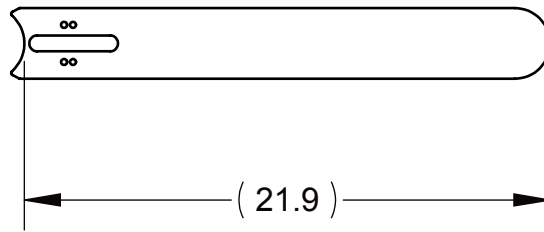
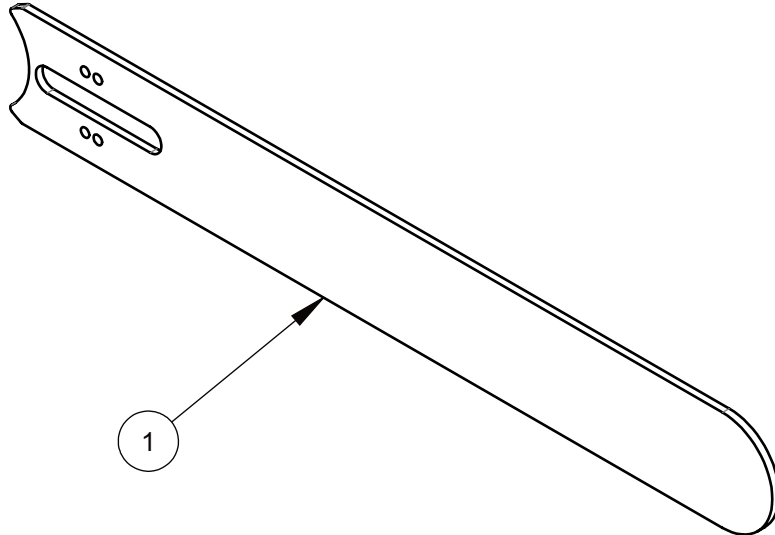
ITEM	PART NO.	QTY.	DESCRIPTION
1	3401398	1	Valve Body HCH50
2	3401399	1	Hyd. Motor GR2 8CCM - HCH50 Saw
3	3401408	1	Chain Saw Frame Assy, HCH50
4	3401013	1	Tensioning Nut
5	3401018	2	Bolt to Chain Bar
6	3401015	1	Tensioning Screw
7	3401014	1	Nut, Counter
8	3401017	1	Chain Bar Plate
9	3401287	1	Chain Guard
10	3402177	1	Cutting Mandrel
11	3401010	1	Handle (Weldment)
12	3401392	1	Clamp Piece
13	3401152	1	Screw M8 LEFT x 22
14	3401376	1	Drive Sprocket, Chain Saw
15	3401407	1	Seal Back Up Ring
16	6048785	1	Spirit Level
17	3401016	1	Set Screw, M6 x 6
18	2900887	2	Cap Screw, Soc. Hd., M4 x 35
19	3402011	1	Cap Screw, Soc. Hd., M6 x 16
20	2900554	3	Cap Screw, Soc. Hd., M6-1.0 x 20mm
21	2900243	4	Cap Screw, Soc. Hd., M8-1.25 x 20mm
22	2903249	1	Cap Screw, Soc. Hd., M8 x 80
23	2900666	4	Cap Screw, Soc. Hd., M10 x 80 Low Head
24	2900482	2	Hex Nut, M12-1.75
25	2900544	3	Cap Screw, Hex Hd., M6-1.0 x 12mm
26	2900765	3	Lock Washer, M6 Split
27	2900311	2	Cap Screw, Hex Hd., M6-1.0 x 25mm
28	2901336	4	Flat Washer, M8
29	2704957	1	Ring, Retaining, Int 30mm
30	3401400	2	O-Ring 8.0x2.0 N70
31	3401295	1	Seal, Motor Shaft
32	3400837	1	Seal,CSF40 Sprocket
33	3401418	1	Grip, Handle
34	6048885	1	Rear Handle Assembly
35	3204213	1	1/4"M.Pipe to 1/4"Hose Barb
36	1800169	1	Serial Number Plate, US
37	2901357	3	Flat Washer, M12
38	3401417	1	Screw, Locking
39	3401416	2	O-ring, M2.62 x 66.35
40	2900053	2	Rivet, 3/32" Dia.

12" Chain Saw Bar 6063039



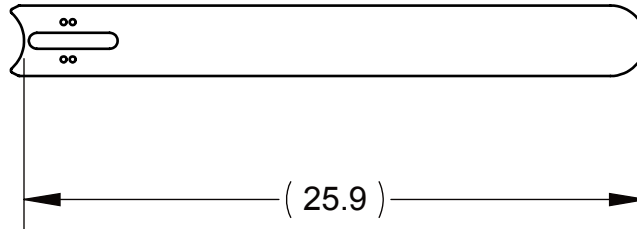
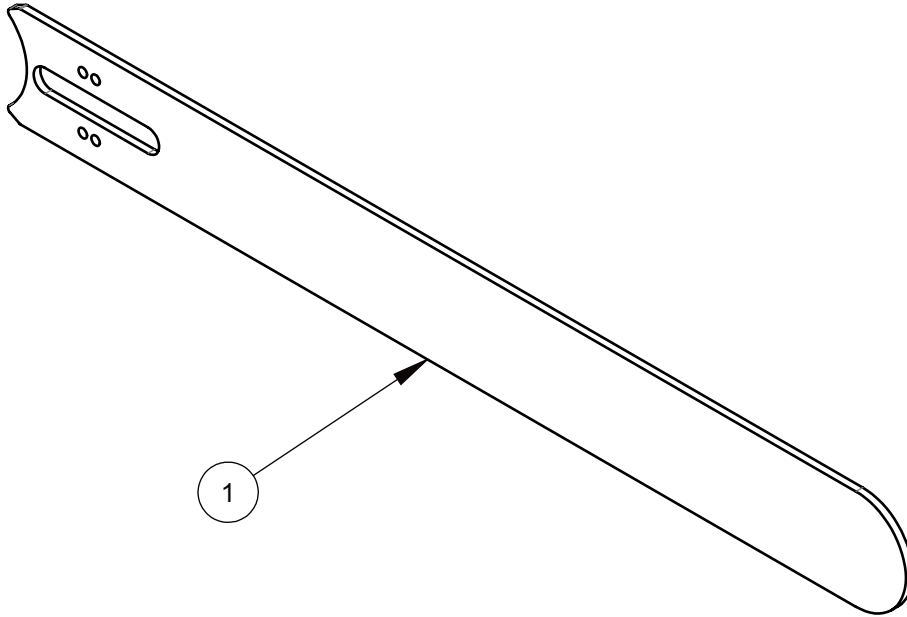
ITEM	PART NO.	QTY.	DESCRIPTION
1	6063039	1	12" Saw Bar

16" Chain Saw Bar 6060261



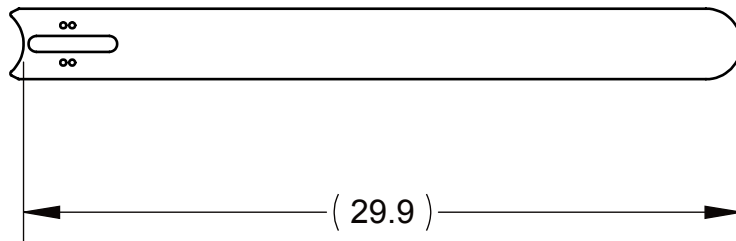
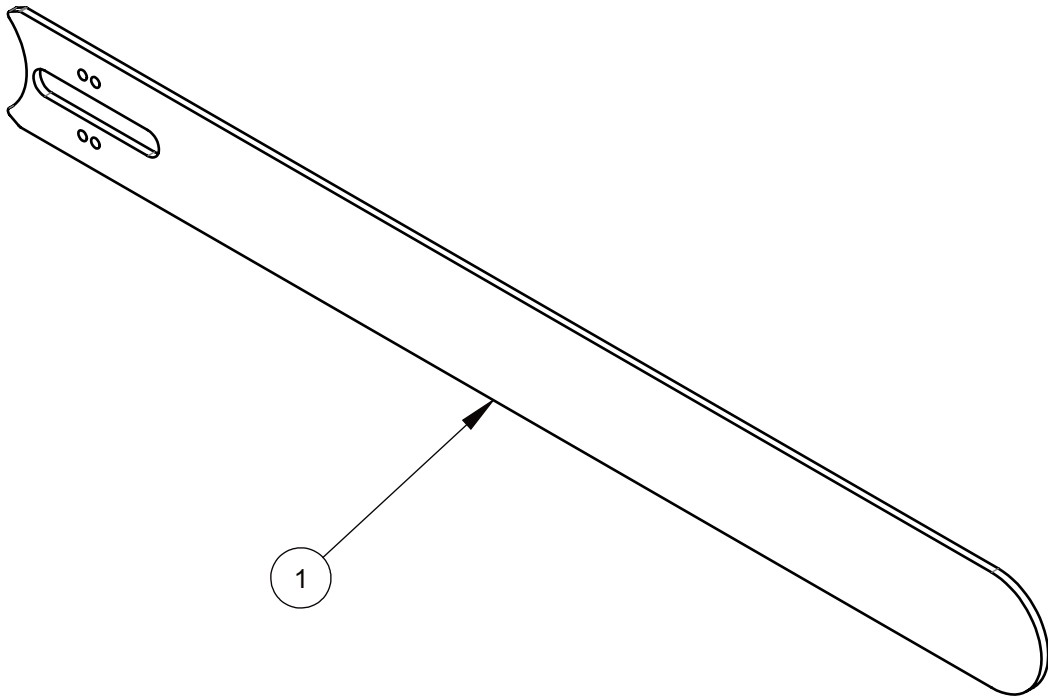
ITEM	PART NO.	QTY.	DESCRIPTION
1	6060261	1	16" Saw Bar

20" Chain Saw Bar 6060260



ITEM	PART NO.	QTY.	DESCRIPTION
1	6060260	1	20" Saw Bar

24" Chain Saw Bar 6063038



ITEM	PART NO.	QTY.	DESCRIPTION
1	6063038	1	24" Saw Bar

EQUIPMENT AND PARTS WARRANTY

Diamond Products warrants all equipment manufactured by it against defects in workmanship or materials for a period of one (1) year from the date of shipment to Customer.

The responsibility of Diamond Products under this Warranty is limited to replacement or repair of defective parts at Diamond Products' Elyria, Ohio factory, or at a point designated by it, of such parts as shall appear to us upon inspection at such parts, to have been defective in material or workmanship, with expense for transportation and labor borne by Customer.

In no event shall Diamond Products be liable for consequential or incidental damages arising out of the failure of any Product to operate properly.

Integral units such as engines, electric motors, batteries, transmissions, etc., are excluded from this Warranty and are subject to the prime manufacturer's warranty.

THIS WARRANTY IS IN LIEU OF ALL OTHER WARRANTIES, EXPRESSED OR IMPLIED, AND ALL SUCH OTHER WARRANTIES ARE HEREBY DISCLAIMED.



333 Prospect Street, Elyria, Ohio 44035
(440) 323-4616 • (800) 321-5336 • Fax (440) 323-8689
www.diamondproducts.com